

1. Apply Environmental Condition :

No.	Item	Specification
1-1	Storage Temperature Range	-20°C ~ 60°C
1-2	Operating Temperature Range	-10°C ~ 50°C
1-3	Operating Voltage Range	6V

2. Standard Test Environment :

2-1	Standard Test Environment	Every item should be tested under normal temperature and humidity (temperature: $25 \pm 5^\circ\text{C}$, relative humidity: $65 \pm 10\%$), and the characteristic should be judged according to the standard test conditions of the specifications.
-----	---------------------------	---

3. Appearance Inspection :

No.	Item	Specification
3-1	Overall Dimensions	See the drawings
3-2	Appearance	No damage, no function defects



4. Electrical Specification (Function of the Performance) :

No.	Item	6.0V
4-1	Operating speed (at no load)	0.13 sec/60°
4-2	Running current (at no load)	120 mA
4-3	Stall torque (at locked)	14 kg-cm
4-4	Stall current (at locked)	1800 mA
4-5	Idle current (at stopped)	5 mA

5. Mechanical Specification :

No.	Item	Specification
5-1	Overall Dimensions	See the drawings.
5-2	Limit angle	180°± 10°
5-3	Weight	60 ± 1 g
5-4	Connector wire gauge	# 22 PVC
5-5	Connector wire length	300 ± 5 mm
5-6	Horn gear spline	25T/ φ 5.9
5-7	Horn type	Cross,round, bar-type and hexagon
5-8	Reduction ratio	1/240



Product Name

Digital Servo

Model No.

PZ-15298

Version

V1

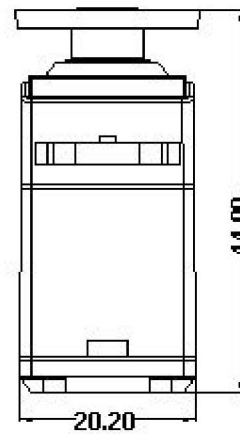
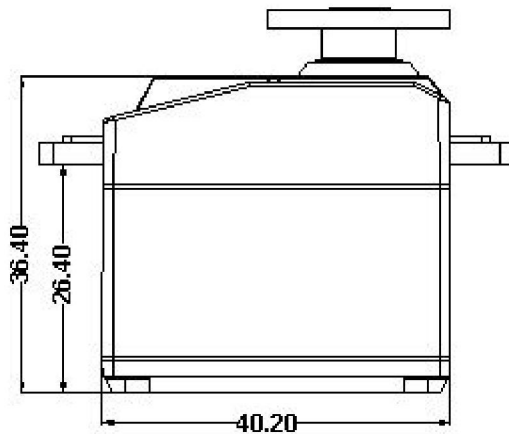
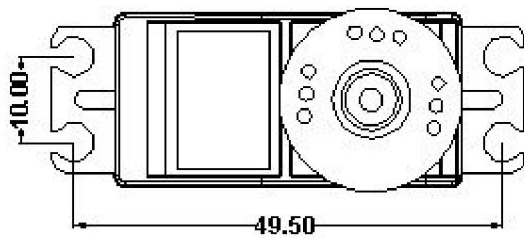
Page

2/3

6. 控制特性

Control Specification :

No.	Item	Specification
6-1	Control system	Change the pulse width.
6-2	Amplifier type	Digital controller
6-3	Operating travel	90° (1000→2000 μsec)
6-4	Neutral position	1500 μsec
6-5	Dead band width	2 μsec
6-6	Rotating direction	Clockwise (1500→2000 μsec)
6-7	Pulse width range	1000→2000 μsec
6-8	Maximum travel	About 90°(1000→2000 μsec)



Product Name

Digital Servo

Model No.

PZ-15298

Version

V1

Page

3/3